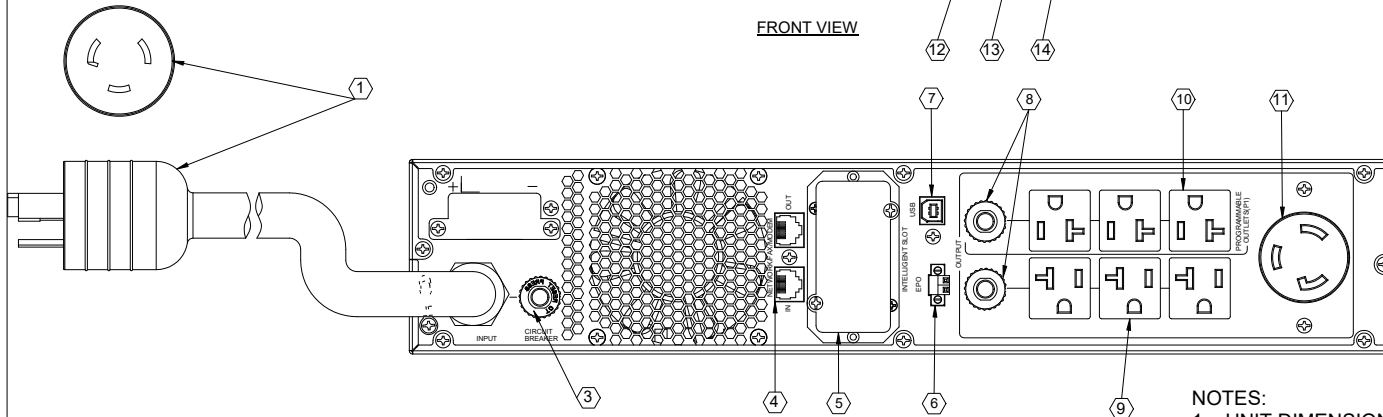
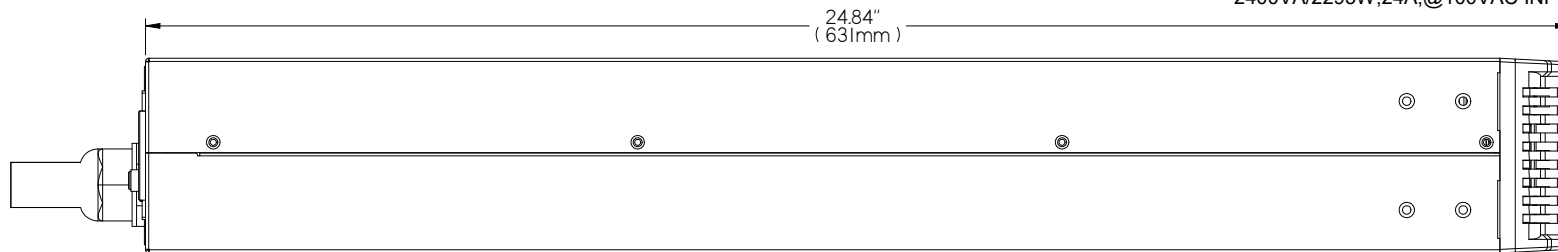


FRONT VIEW



REAR VIEW



SIDE VIEW

- ① INPUT POWER CORD: NEMA L5-30P WITH 10 FOOT ATTACHED CORD
- ② NOT USED
- ③ 30A INPUT BREAKER
- ④ RJ-45 DATA LINE CONNECTORS
- ⑤ INTELLISLOT PORT. NETWORK COMMUNICATIONS CARD OPTIONAL
- ⑥ EPO CONNECTOR
- ⑦ USB PORT
- ⑧ 20A OUPUT BREAKER
- ⑨ OUTPUT RECEPTACLES: 3 NEMA 5-15R ALWAYS ON
- ⑩ OUTPUT RECEPTACLES: 3 NEMA 5-15R PROGRAMMABLE GROUP
- ⑪ OUTPUT RECEPTACLE: NEMA L5-30R
- ⑫ ON/MUTE BUTTON
- ⑬ SELECT BUTTON
- ⑭ OFF/ENTER BUTTON

NOTES:

1. UNIT DIMENSIONS: 17.2" x 3.4" x 24.8" (438mm) x (86mm)" x (631mm)
2. UNIT WEIGHT: 53.6lbs (24.3kg)
3. SHIPPING DIMENSIONS: 22.4" x 10.2" x 30.8" (570mm) x (258mm) x (782mm)
4. SHIPPING WEIGHT: 67.9lbs (30.8kg)
5. MINIMUM AIRFLOW CLEARANCE IS 4.0" (100.0mm) - FRONT/REAR
6. FIXED RAIL KIT: INCLUDED
7. ALL SITE WIRING IS TO BE IN COMPLIANCE WITH NATIONAL AND LOCAL ELECTRIC CODES.
8. UNIT INPUT: 100~125 VAC, 60/50HZ, 24A
9. UNIT OUTPUT: 100/110/115/120/125VAC, 60/50HZ, 3000VA/2700W, 24A, @125VAC INPUT OR 2880VA/2700W, 24A, @120VAC INPUT OR 2760VA/2700W, 24A, @115VAC INPUT OR 2550VA/2295W, 23.2A, @110VAC INPUT OR 2400VA/2295W, 24A, @100VAC INPUT

DRAWN BY B. LAY	SHEET NO. 1 OF 1
CHK BY L. JOHNSON	ECN NO.
REF. DWG.	ORDER NO.

PS15 3000RT120LI

DWG. NO. PS15 3000RT120LI	DATE 12/13/19	REV. # 0	1050 DEARBORN DRIVE P.O. BOX 29186 COLUMBUS, OHIO 43229
------------------------------	------------------	-------------	---------------------------------------------------------------

