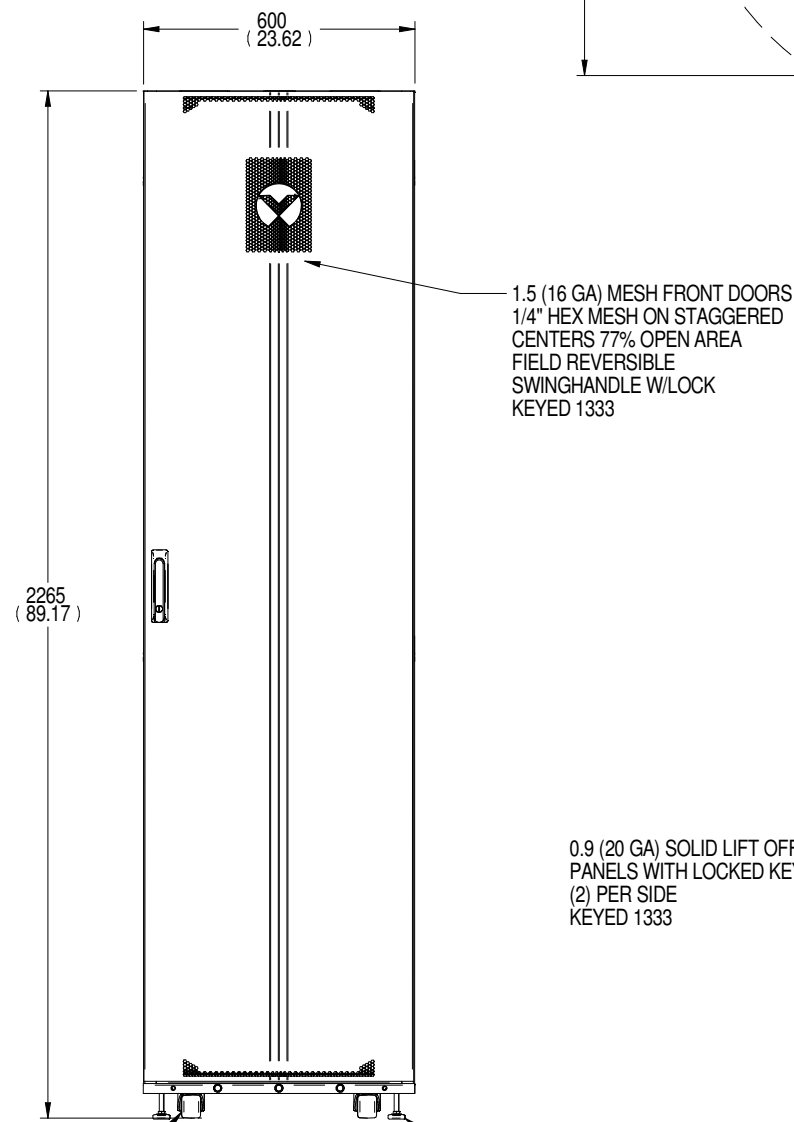


TOP VIEW



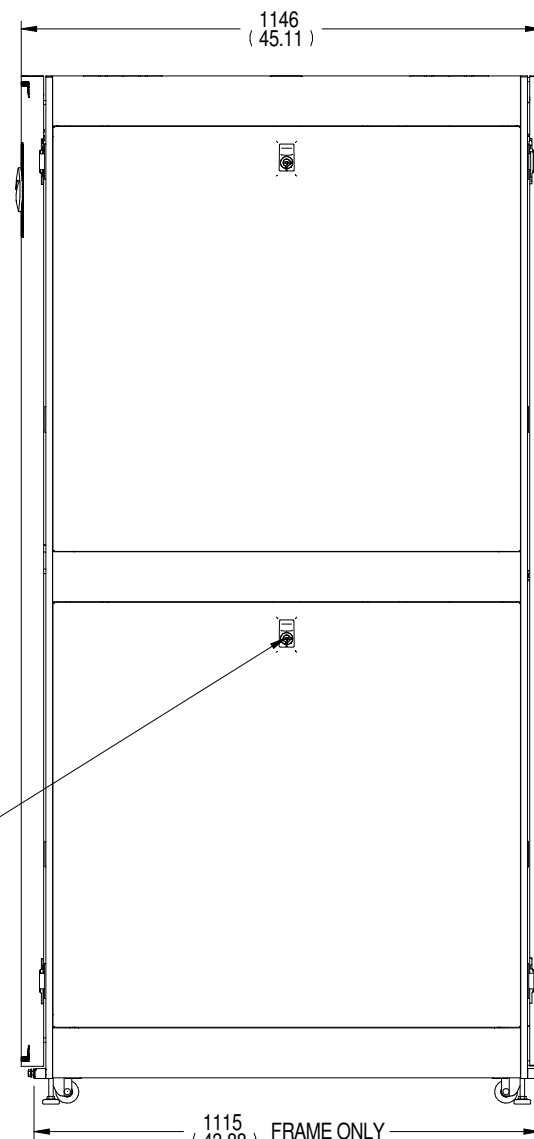
FRONT VIEW

1.5 (16 GA) MESH FRONT DOORS
1/4" HEX MESH ON STAGGERED
CENTERS 77% OPEN AREA
FIELD REVERSIBLE
SWINGHANDLE W/LOCK
KEYED 1333

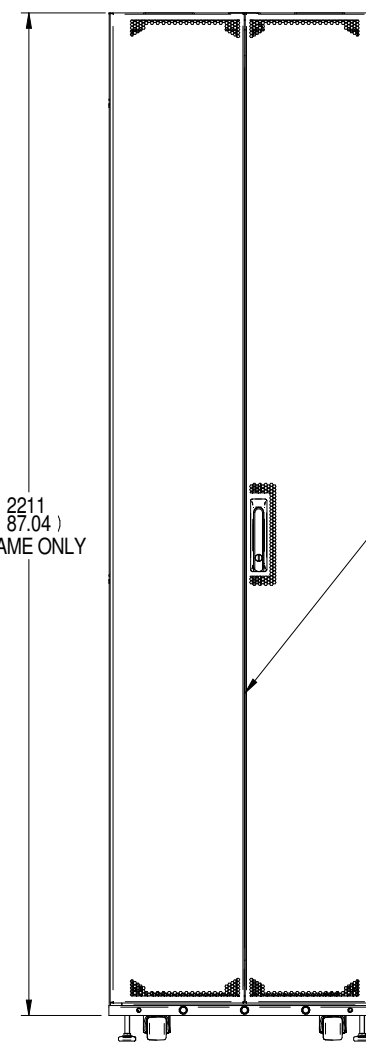
0.9 (20 GA) SOLID LIFT OFF SIDE
PANELS WITH LOCKED KEYED
(2) PER SIDE
KEYED 1333

SWIVEL CASTERS
QTY. (4)

LEVELING FEET
QTY. (4)

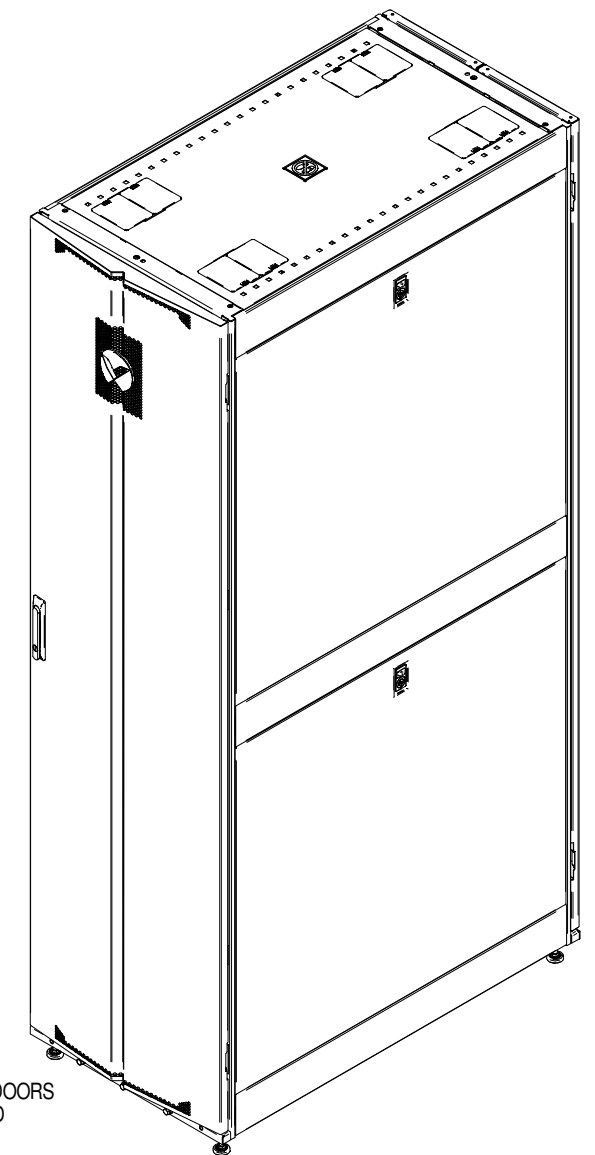


RIGHT SIDE VIEW



REAR VIEW

1.2 (18 GA) SPLIT MESH REAR DOORS
1/4" HEX MESH ON STAGGERED
CENTERS 77% OPEN AREA
FIELD REVERSIBLE
SWINGHANDLE W/LOCK
KEYED 1333



FRONT ISOMETRIC VIEW

VR3107 OPTIONAL MODEL DESCRIPTION BY SUFFIX	
RACK MODEL	DESCRIPTION
VR3107-001	NO FRONT DOOR, NO REAR DOOR, NO RIGHT SIDE PANELS, NO LEFT SIDE PANELS
VR3107-002	NO FRONT DOOR, NO REAR DOOR
VR3107-003	NO FRONT DOOR
VR3107-004	NO REAR DOOR
VR3107-005	NO RIGHT SIDE PANELS
VR3107-006	NO LEFT SIDE PANELS
VR3107-007	NO RIGHT SIDE PANELS, NO LEFT SIDE PANELS
VR3107-013	NO FRONT DOOR, NO REAR DOOR, NO SIDE PANELS, NO ROOF

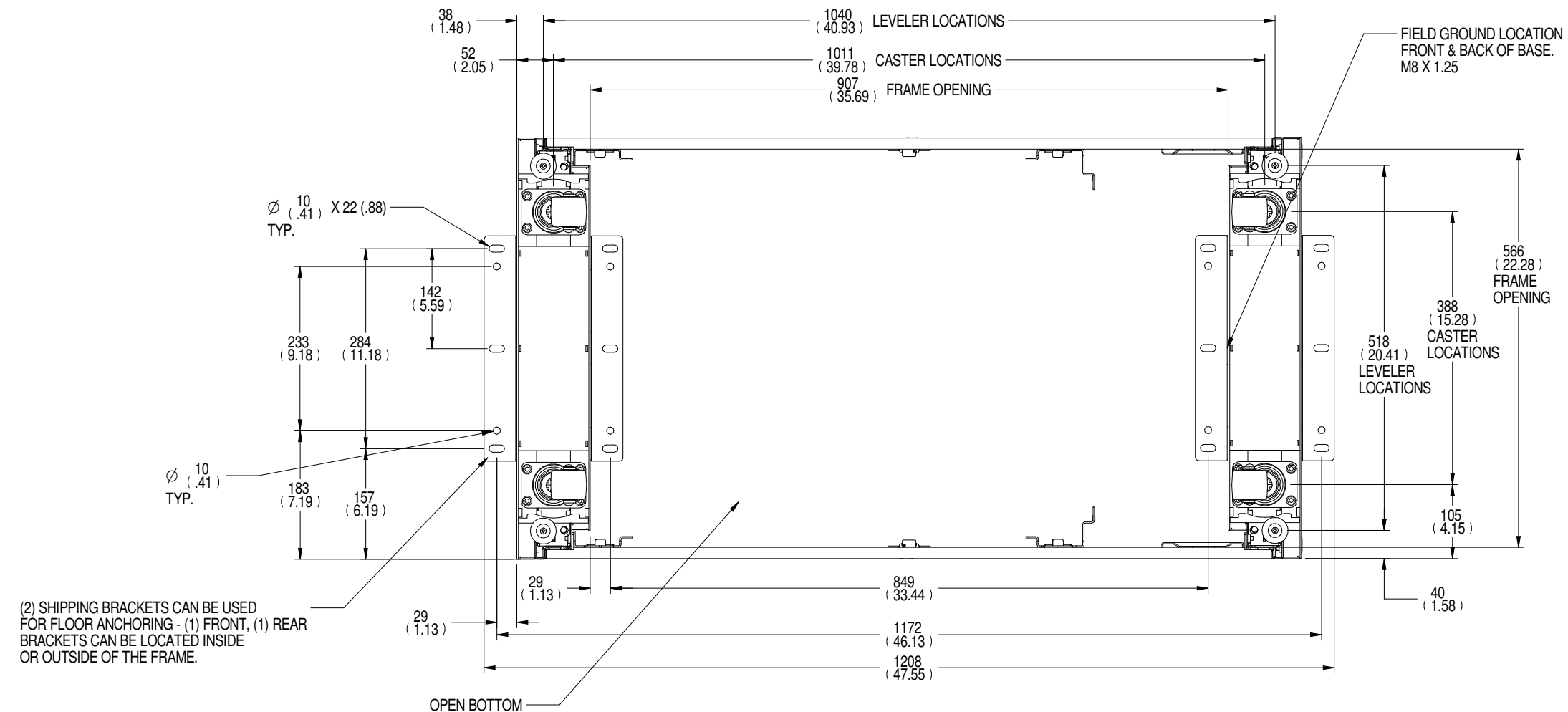
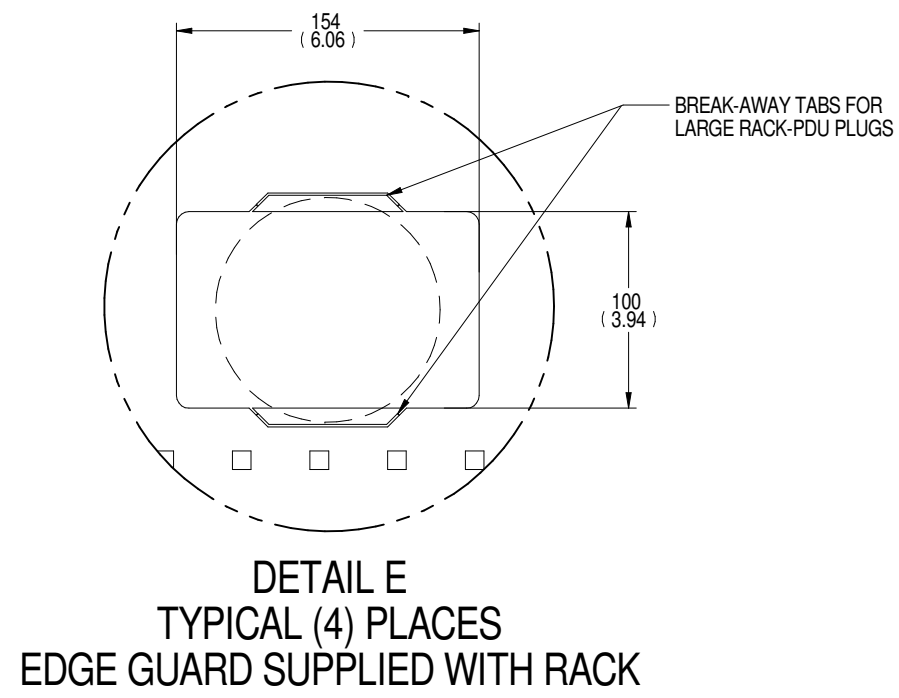
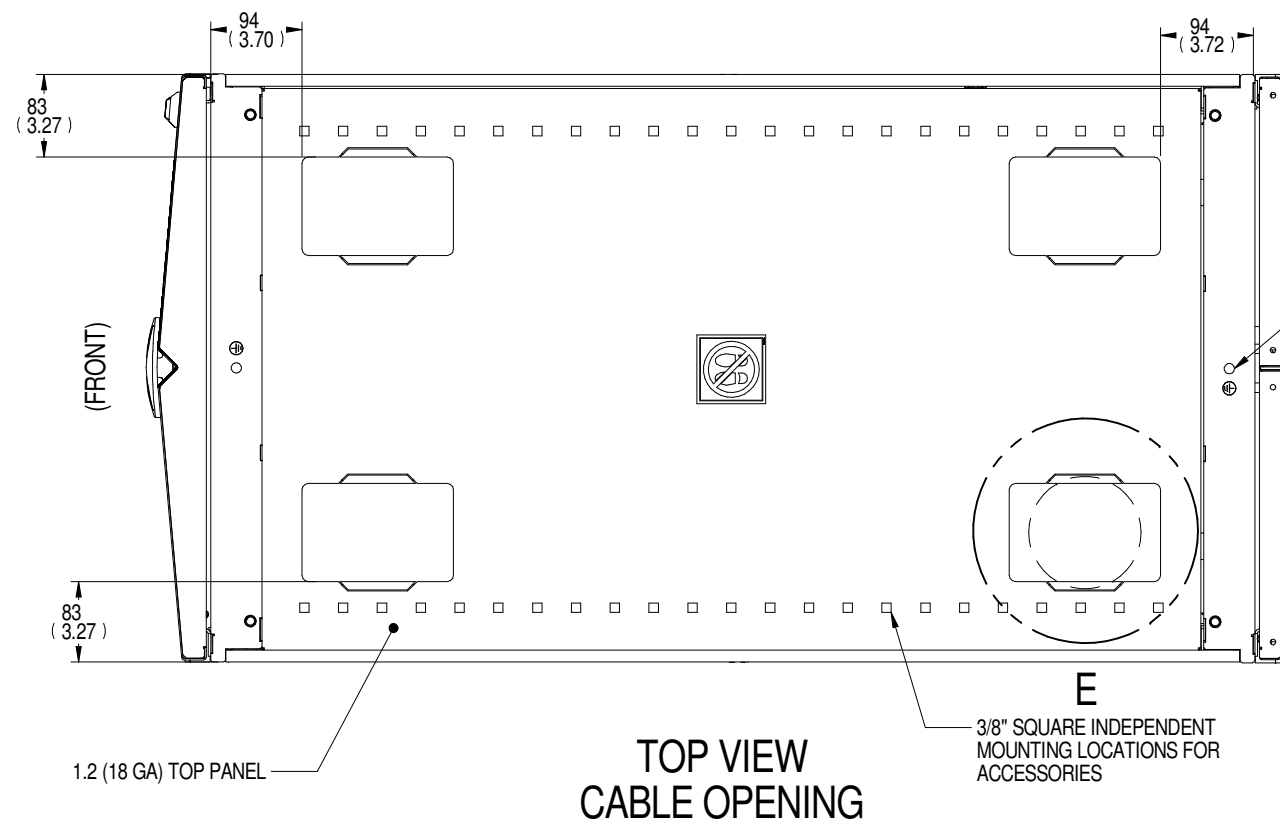
- NOTES:
1. ALL DIMENSIONS ARE MM (INCH), TOLERANCES ±2.5 (±0.1)
 2. UNIT WEIGHT: 162.3 KG (357.8 LBS)
 3. STATIC WEIGHT CAPACITY: 1361 KG (3000 LBS)
 4. DYNAMIC WEIGHT CAPACITY: 1021 KG (2250 LBS)
 5. PACKAGE OF M6 SCREWS, CAGE NUTS INCLUDED.

DRAWN BY: TED BEAVER	SHEET NUMBER: 1 OF 3
CHECKED BY: BRAD REINBOLT	ECN NUMBER: N/A
REFERENCE DRAWING: N/A	QUOTE NUMBER: N/A

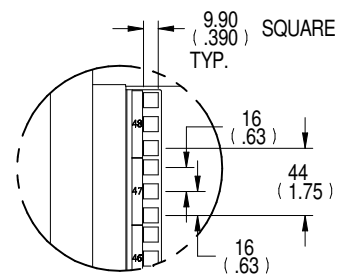
TITLE / DESCRIPTION
VERTIV VR RACK
48U x 600mm W x 1100mm D

VR3107			
DRAWING NUMBER: VR3107-SUBTL	DATE: 04/15/21	REV#: 2	1050 DEARBORN DRIVE P.O. BOX 29186 COLUMBUS, OHIO 43229

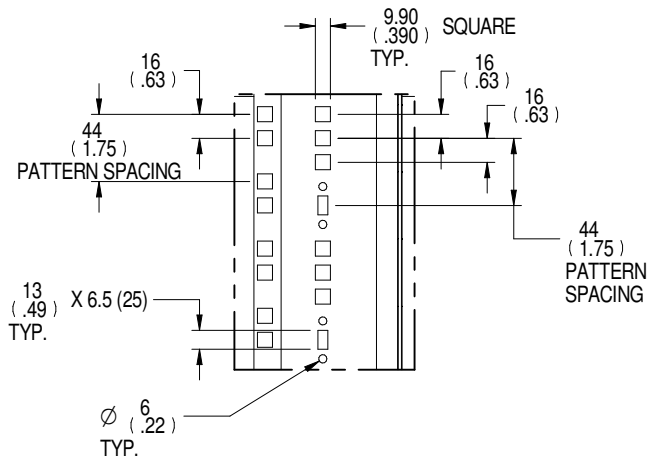




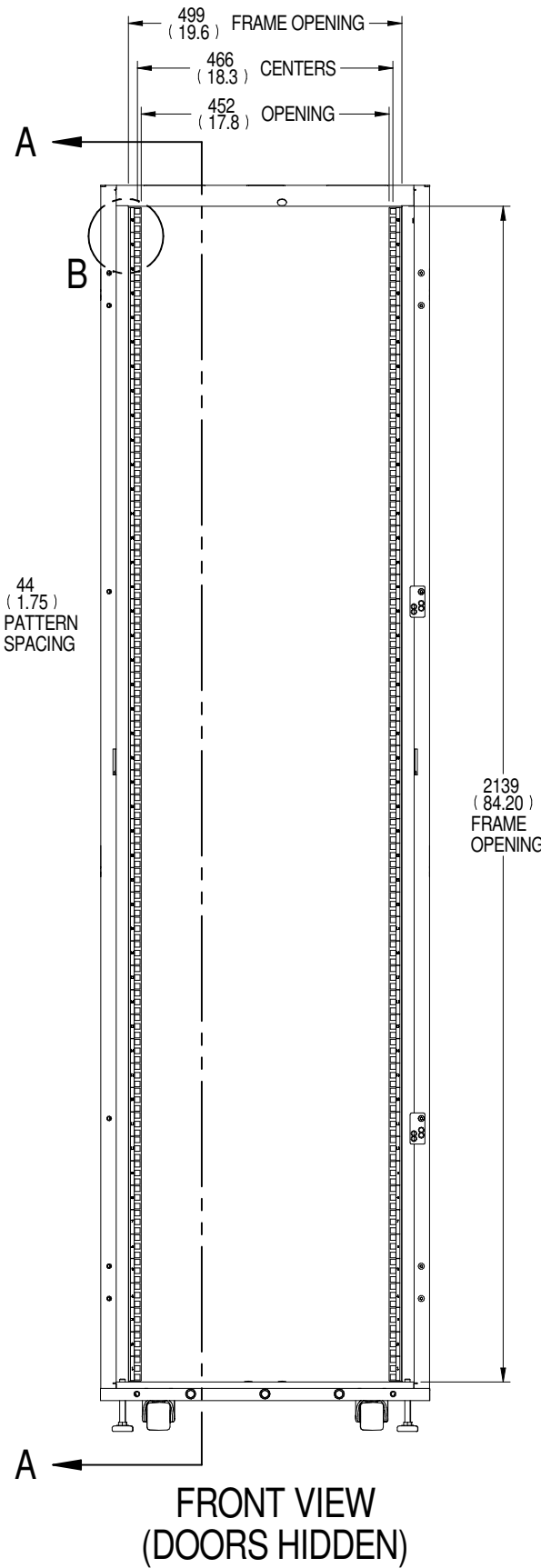
DRAWN BY: TED BEAVER	SHEET NUMBER: 2 OF 3	TITLE / DESCRIPTION VERTIV VR RACK 48U x 600mm W x 1100mm D	VR3107		
CHECKED BY: BRAD REINBOLT	ECN NUMBER: N/A				
REFERENCE DRAWING: N/A	QUOTE NUMBER: N/A		DRAWING NUMBER: VR3107-SUBTL	DATE: 04/15/21	



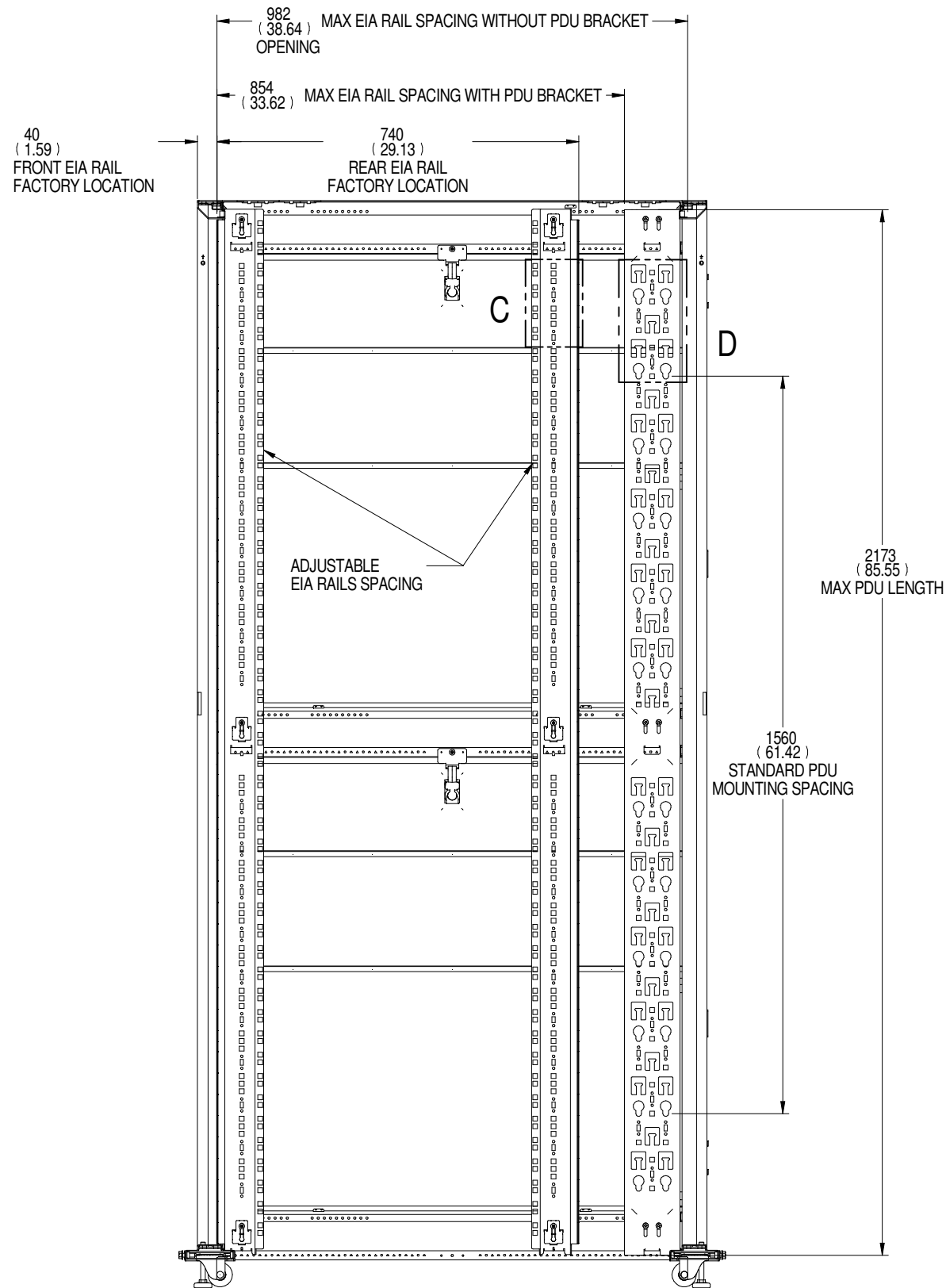
**DETAIL B
RMU DETAIL**



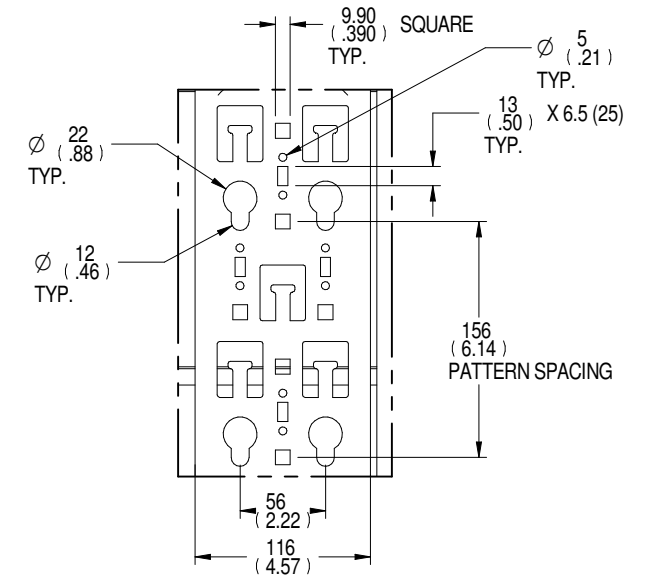
**DETAIL C
OPTIONAL ACCESSORY
LOCATIONS**



**FRONT VIEW
(DOORS HIDDEN)**



SECTION A-A



**DETAIL D
PDU BRACKET
DETAIL**

DRAWN BY: TED BEAVER	SHEET NUMBER: 3 OF 3
CHECKED BY: BRAD REINBOLT	ECN NUMBER: N/A
REFERENCE DRAWING: N/A	QUOTE NUMBER: N/A

TITLE / DESCRIPTION
VERTIV VR RACK
48U x 600mm W x 1100mm D

VR3107

DRAWING NUMBER: VR3107-SUBTL	DATE: 04/15/21	REV#: 2	1050 DEARBORN DRIVE P.O. BOX 29186 COLUMBUS, OHIO 43229
---------------------------------	-------------------	------------	---

